

# RIDGWAY Rentals

PLANT RENTAL • HAULAGE • SALES • PARTS • SERVICE

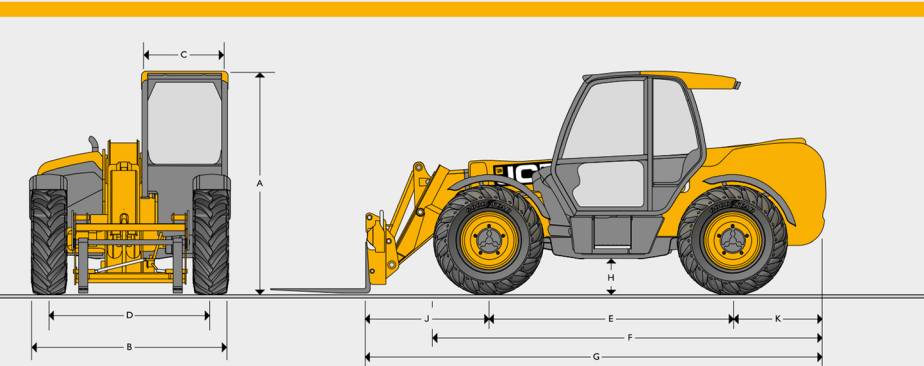
01691 770171 0800 515155

sales@ridgwayrentals.com www.ridgwayrentals.com



## JCB 540-180

### 18 Metre Reach Telehandler



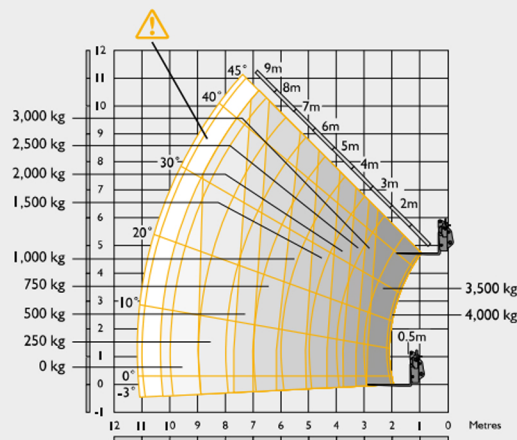
#### STATIC DIMENSIONS

Machine model		540-180 HiViz	540-200
A	Overall height	m 2.59	2.72
B	Overall width (over tyres)*	m 2.35	2.44
C	Inside width of cab	m 0.94	0.94
D	Front track	m 1.90	1.97
E	Wheelbase	m 2.75	2.75
F	Overall length to front tyres	m 4.75	5.09
G	Overall length to front carriage	m 6.27	6.81
H	Ground clearance	m 0.40	0.41
J	Front wheel centre to carriage	m 2.15	2.39
K	Rear wheel centre to rear face	m 1.37	1.67
	Overall width with stabilisers fully deployed	m 3.39	3.82
	Outside turn radius (over tyres)	m 3.75	4.1
	Carriage rollback angle	degrees 36.50	39
	Carriage dump angle	degrees 12.50	8.8
	Weight	kg 11380	12985
	Tyres	15.5-25	17.5-25

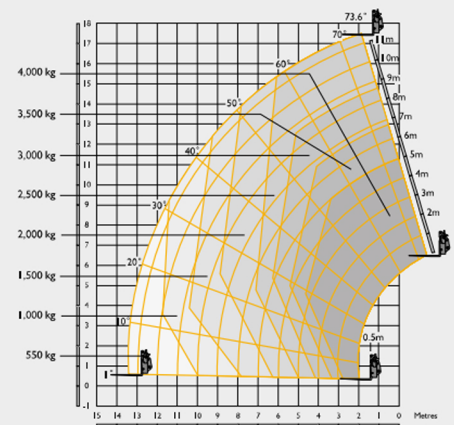
\* Type dependent

#### LIFT PERFORMANCE

540-180 HiViz Stabilisers retracted Sway



540-180 HiViz Stabilisers extended Sway



Maximum lift capacity	kg	4000	4000
Lift capacity to full height	kg	500	2500
Lift capacity at full reach	kg	0	550
Lift height	m	10.69	17.51
Reach at maximum lift height	m	6.92	1.88
Maximum forward reach	m	10.47	13.34
Reach with 1 tonne load	m	6.25	11.72
Placing height	m	10.0	17.0