

RIDGWAY Rentals

PLANT RENTAL • HAULAGE • SALES • PARTS • SERVICE

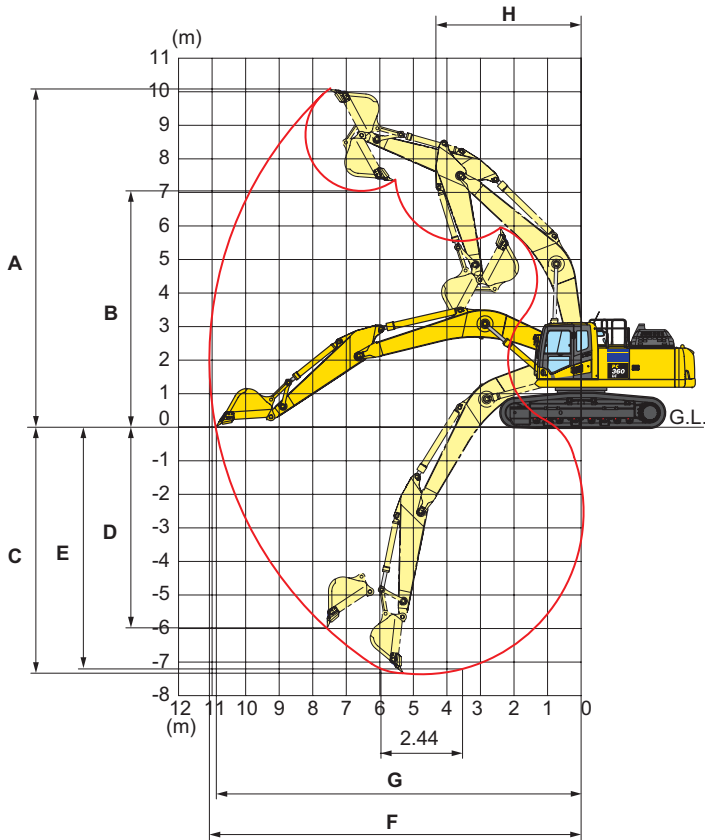
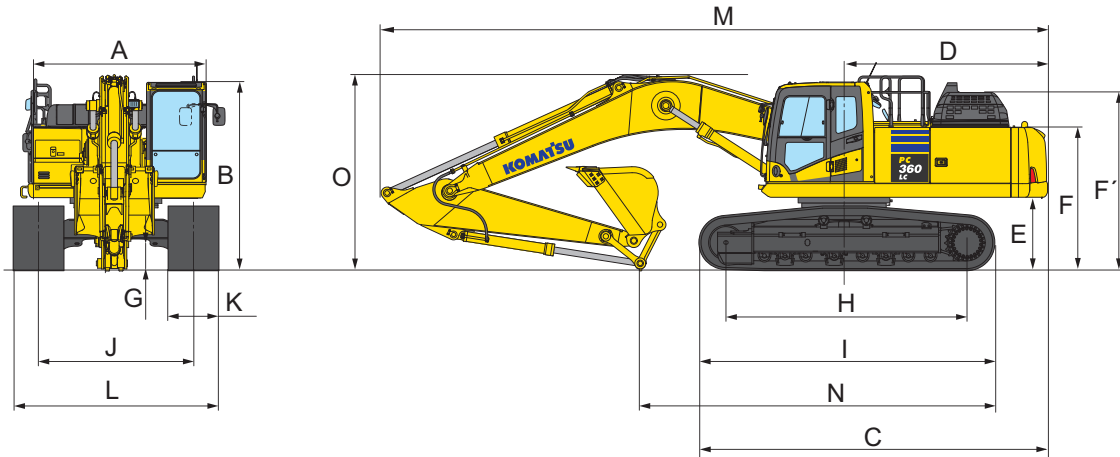
01691 770171 0800 515155

sales@ridgwayrentals.com www.ridgwayrentals.com



Komatsu PC 360 LC Excavator

35 Ton Excavator Hire | 35 Ton Excavator Sales



MACHINE DIMENSIONS	PC360LC-11
A Overall width of upper structure	2.995 mm
B Overall height of cab	3.160 mm
C Overall length of basic machine	5.880 mm
D Tail length	3.405 mm
Tail swing radius	3.445 mm
E Clearance under counterweight	1.185 mm
F Machine tail height	2.350 mm
F' Machine tail height (top of engine cover)	2.920 mm
G Ground clearance	498 mm
H Tumbler centre distance	4.030 mm
I Track length	4.955 mm
J Track gauge	2.590 mm
K Track shoe width	600, 700, 800, 850 mm
L Overall track width with 600 mm shoes	3.190 mm
Overall track width with 700 mm shoes	3.290 mm
Overall track width with 800 mm shoes	3.390 mm
Overall track width with 850 mm shoes	3.440 mm

ARM LENGTH	2,2 m	2,6 m	3,2 m	4,0 m
A Max. digging height	9.580 mm	9.965 mm	10.210 mm	10.550 mm
B Max. dumping height	6.595 mm	6.895 mm	7.110 mm	7.490 mm
C Max. digging depth	6.355 mm	6.705 mm	7.380 mm	8.180 mm
D Max. vertical wall digging depth	5.120 mm	5.880 mm	6.480 mm	7.280 mm
E Max. digging depth of cut for 2,44 m level	6.130 mm	6.520 mm	7.180 mm	8.045 mm
F Max. digging reach	10.155 mm	10.550 mm	11.100 mm	11.900 mm
G Max. digging reach at ground level	9.950 mm	10.355 mm	10.920 mm	11.730 mm
H Min. swing radius	4.390 mm	4.400 mm	4.310 mm	4.320 mm