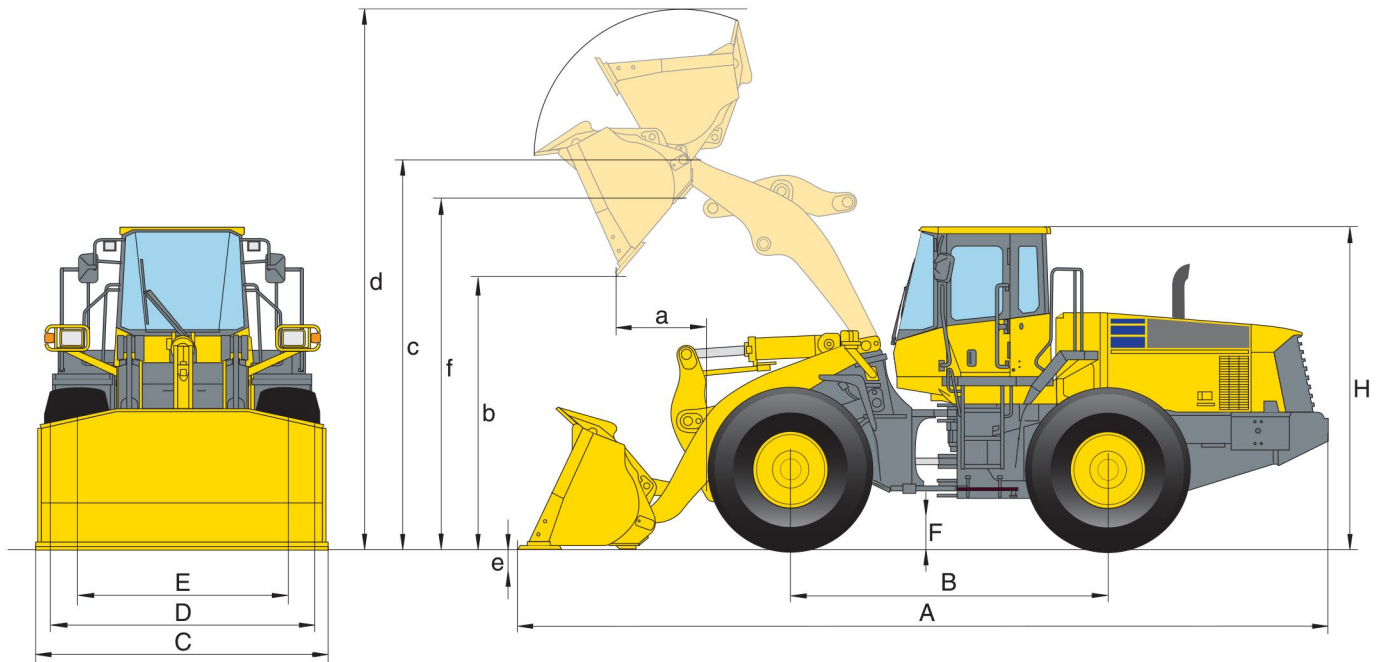




KOMATSU WA430 22 TON WHEELED LOADER



MEASUREMENTS AND WORKING SPECIFICATIONS

Bucket type		Universal		Stockpile			Stockpile ¹		Earthmoving		Heavy Duty		Universal (High-lift) ²			
		with teeth	with BOC	with teeth	with BOC	w/o teeth	with teeth	with BOC	w/o teeth	with teeth	with BOC	with teeth	with BOC	w/o teeth		
Bucket capacity (heaped, ISO 7546)	m ³	3,3	3,45	3,6	3,75	3,6	3,6	3,75	4,0	4,0	4,2	3,4	3,55	3,4	3,5	3,3
Sales code	3948	C02	C03	C12	C13	C35	C36	C37	C45	C46	C47	C42	C43	C29	C30	C01
Material density	t/m ³	1,8	1,7	1,65	1,55	1,6	1,6	1,5	1,65	1,6	1,55	1,7	1,6	1,7	1,6	1,5
Bucket weight	kg	1.750	1.800	1.763	1.833	1.735	1.902	1.962	1.902	2.068	2.124	1.748	1.808	1.980	2.040	1.580
Static tipping load, straight	kg	14.765	14.630	14.725	14.550	14.645	14.425	14.255	15.805	15.585	15.570	14.660	14.475	14.415	14.235	13.135
Static tipping load, 37° articulated	kg	13.215	13.085	13.175	13.010	13.110	12.890	12.725	14.120	13.900	13.740	13.115	12.945	12.870	12.700	11.700
Break-out force hydraulic	kN	164	154	159	149	155	155	146	149	149	141	154	143	164	154	157
Lifting capability hydr. at ground level	kN	192	190	190	188	190	190	188	187	187	186	192	190	191	190	164
Operating weight (without add. counterw.)	kg	19.100	19.145	19.120	19.180	19.080	19.250	19.310	20.175	20.340	20.395	19.905	19.155	19.325	19.390	20.010
Turning radius at corner of tyres (40°)	mm	6.025	6.025	6.025	6.025	6.025	6.025	6.025	6.025	6.025	6.025	6.025	6.025	6.025	6.025	6.025
Turning radius at bucket edge (40°)	mm	6.730	6.675	6.740	6.695	6.655	6.745	6.700	6.680	6.765	6.720	6.730	6.685	6.725	6.680	6.880
a Reach at 45°	mm	1.340	1.180	1.365	1.210	1.195	1.380	1.330	1.170	1.355	1.200	1.345	1.195	1.335	1.180	1.255
b Dump height at 45°	mm	2.815	2.935	2.795	2.905	2.960	2.775	2.885	2.975	2.790	2.900	2.810	2.920	2.825	2.935	3.500
c Hinge pin height	mm	4.155	4.155	4.155	4.155	4.155	4.155	4.155	4.155	4.155	4.155	4.155	4.155	4.155	4.155	4.645
d Height top edge of bucket	mm	5.555	5.555	5.670	5.670	5.535	5.535	5.535	5.770	5.770	5.770	5.535	5.535	5.535	5.535	6.045
e Digging depth	mm	160	190	160	190	160	190	190	160	160	190	160	190	160	190	205
f Max. loading height at 45°	mm	3.860	3.860	3.860	3.860	3.860	3.860	3.860	3.860	3.860	3.860	3.860	3.860	3.860	3.860	4.345
A Overall length, bucket grounded	mm	8.690	8.515	8.735	8.560	8.485	8.760	8.585	8.680	8.955	8.780	8.710	8.535	8.690	8.515	8.950
B Wheelbase	mm	3.300	3.300	3.300	3.300	3.300	3.300	3.300	3.300	3.300	3.300	3.300	3.300	3.300	3.300	3.300
C Bucket width	mm	2.990	3.000	2.990	3.000	2.990	2.990	3.000	2.990	2.990	3.000	2.990	3.000	2.990	3.000	2.990
D Width over tyres	mm	2.885	2.885	2.885	2.885	2.885	2.885	2.885	2.875	2.875	2.875	2.885	2.885	2.885	2.885	2.885
E Track width	mm	2.280	2.280	2.280	2.280	2.280	2.280	2.280	2.280	2.280	2.280	2.280	2.280	2.280	2.280	2.280
F Ground clearance	mm	450	450	450	450	450	450	450	450	450	450	450	450	450	450	450
H Overall height	mm	3.390	3.390	3.390	3.390	3.390	3.390	3.390	3.445	3.445	3.445	3.390	3.390	3.390	3.390	3.390